



**EASY
 TORSION-TILT
 SYSTEM**

BT8430

UNIVERSAL FLAT SCREEN WALL MOUNT WITH TILT



Designed to mount medium sized screens, the BT8430 is a flat screen wall mount that features a unique 'Torsion-Tilt' mechanism which allows easy tilt adjustment of the screen up to +/-15°. Also suitable for pole mounting using B-Tech's Accessory Collars, the BT8430 features levelling screws to adjust the screen level post installation as well as locking screws which help prevent unauthorised removal of the screen.

SPECIFICATION

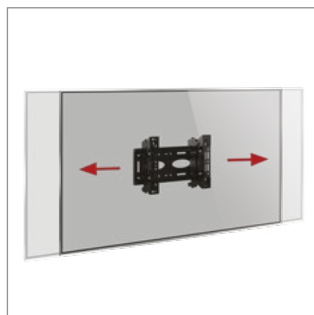
Recommended screen size	up to 47"
Max load	50kg
VESA® & non-VESA fixings	up to 327 x 200mm
Tilt	+/-15°
Distance from wall (flat)	81mm
Distance from wall (full tilt)	148mm

FEATURES

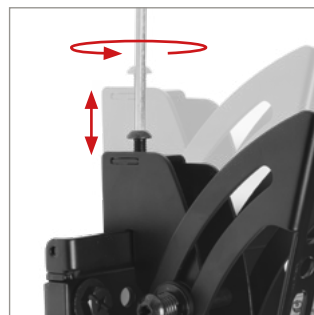
- Unique 'Torsion-tilt' mechanism for tool-less tilt adjustment
- Arms feature levelling screws to adjust the screen height
- Lateral adjustment of screen once mounted
- Levelling screws allow adjustment of screen height
- Security locking screws and Allen key to prevent unauthorised screen removal
- Simple 'hook-on' installation with all mounting hardware included



Compatible with B-Tech's collar and pole system for pole mounting screens



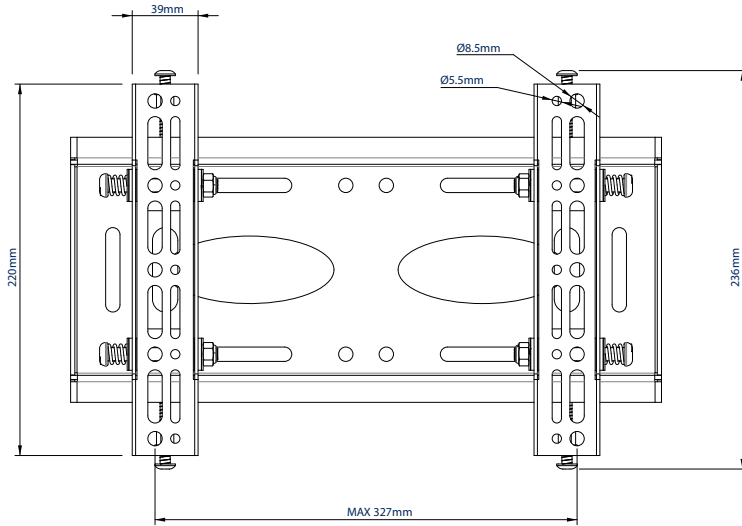
Post installation lateral screen alignment for perfect screen positioning



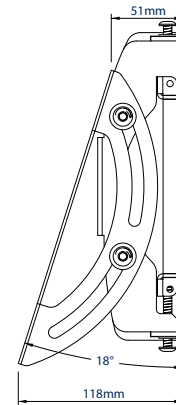
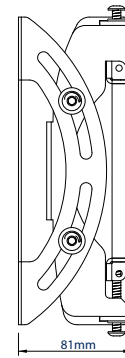
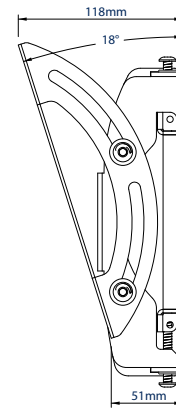
Arms feature levelling screws to adjust the screen height once mounted



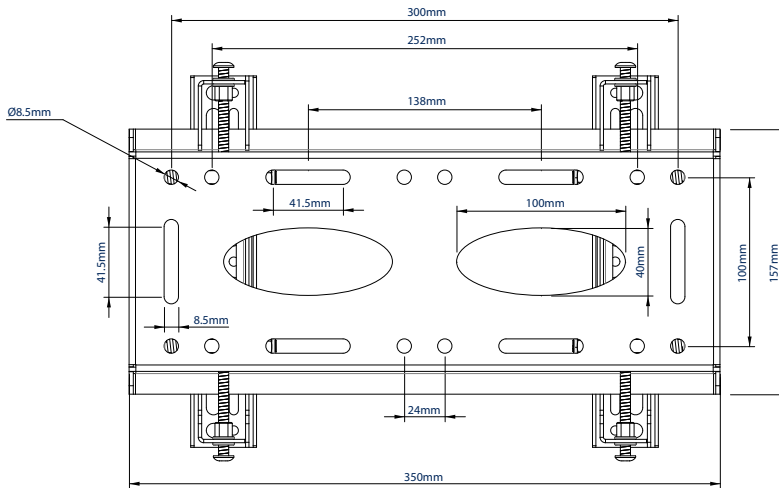
Security locking screws and Allen key provided for a secure installation



FRONT VIEW



SIDE VIEWS



REAR VIEW

PACKING INFORMATION

COLOUR:	ORDER REF:	EAN CODE:	MASTER CARTON QTY:	INNER CARTON QTY:	MASTER CARTON WEIGHT:	MASTER CARTON CUBE:
Black	BT8430-PRO/B	5019318089947	2	0	6.9kg	0.021cbm

ACCESSORIES AND RELATED PRODUCTS



BT7822 Heavy Duty Ceiling / Floor Mount
Can be used in conjunction with B-Tech poles and collars to create pole mounted solutions



BT7850 50mm Diameter Poles are available in a choice of lengths up to 3m and can be used to create multiple pole mounted solutions



BT7841 50mm Accessory Collars allows mounts and accessories to be fitted to B-Tech poles



BT8200 Ultra-Slim Universal Flat Screen Wall Mount for screens up to 45"

© 2016 B-Tech Av Mounts. Patent Application Number: 8170235.
 The information in this specification is for reference only. It is not intended to be construed as a warranty, expressed or implied. B-Tech Av Mounts and its products are registered trademarks of B-Tech Av Mounts. All rights reserved. B-Tech Av Mounts is not responsible for any damage caused by improper installation or use of its products. Any reproduction or transmission of any part of this specification is strictly prohibited unless prior written permission has been granted by B-Tech Av Mounts Manufacturing Ltd.